

MANHOLE COVERS



Manhole covers come in different shapes and sizes. They are used in industrial and public buildings, i.e. shops, exhibition halls, restaurants, warehouses etc., where it is necessary to have access to the systems installed under the floor. The manhole cover can be finished with floor tiles, terra cotta etc.

The manhole covers are made of the V2A steel and are 3 [mm] thick, which allows for installing them in the areas where sanitary requirements are very strict.

TYPES OF MANHOLE COVERS

Standard manhole covers – consist of upper and lower parts, bolting for safe and stable closing and the 'black steel' reinforcement.

Gas-tight manhole covers - additionally feature an O-ring between the lower and upper part.

ADVANTAGES

- easy access to the systems installed under the floor,
- isolating from outside odours,
- water tightness,
- easy opening,
- high durability,
- aesthetics.

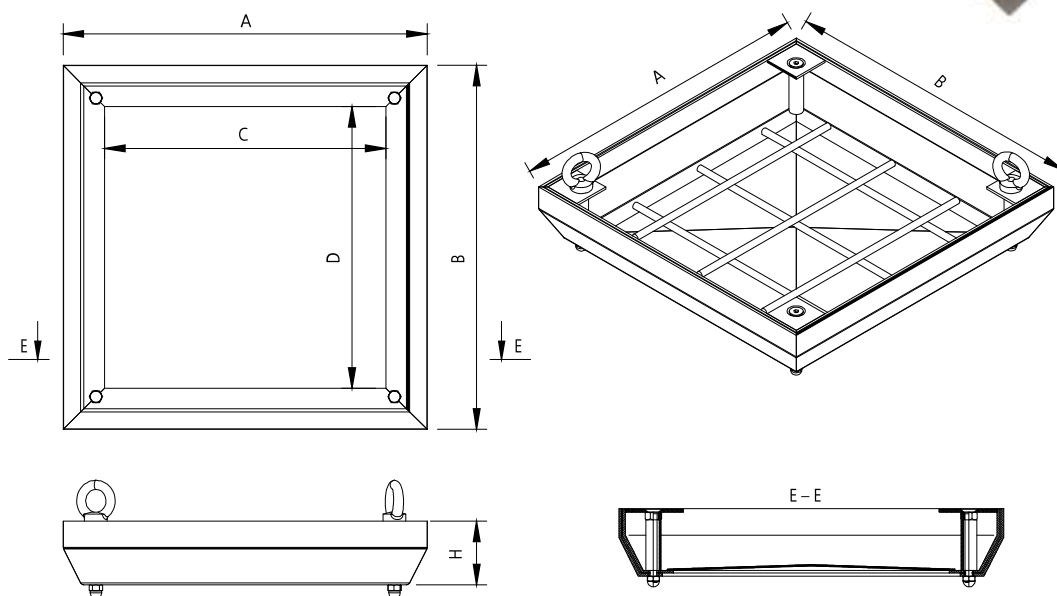
MANHOLE COVERS



MANHOLE COVERS



DIMENSIONS OF STANDARD MANHOLE COVERS



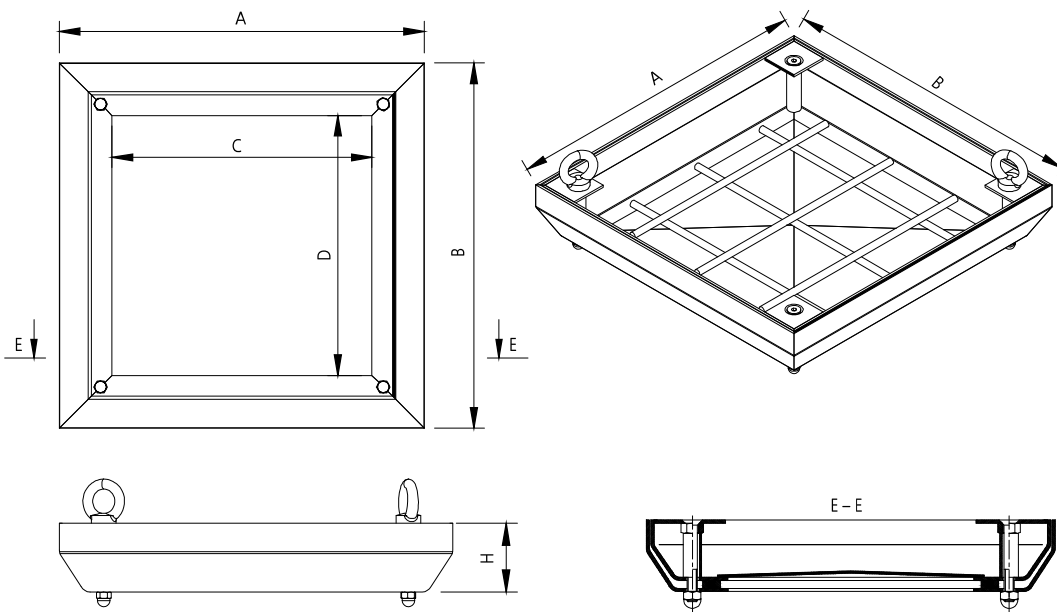
cover type	standard manhole cover	outside dimension A x B [mm]	inside dimensions C x D [mm]	height H [mm]
K 3x3	00.071033.00	300x300	160x160	70
K 4x4	00.071044.00	400x400	260x260	70
K 5x5	00.071055.00	500x500	360x360	70
K 5x7	00.071057.00	500x700	340x540	85
K 6x6	00.071066.00	600x600	440x440	85
K 6x8	00.071068.00	600x800	440x640	85
K 7x7	00.071077.00	700x700	540x540	85
K 8x8	00.071088.00	800x800	620x620	100
K 9x9	00.071099.00	900x900	720x720	100
K 10x10	00.071010.00	1000x1000	820x820	100

Ø10 bar is used for all types of manhole covers made of carbon steel.

MANHOLE COVERS



DIMENSIONS OF GAS-TIGHT MANHOLE COVERS



cover type	gas-tight manhole cover	outside dimension A x B [mm]	inside dimensions C x D [mm]	height H [mm]
K 3x3	00.070033.00	300x300	160x160	70
K 4x4	00.070044.00	400x400	260x260	70
K 5x5	00.070055.00	500x500	360x360	70
K 5x7	00.070057.00	500x700	340x540	85
K 6x6	00.070066.00	600x600	440x440	85
K 6x8	00.070068.00	600x800	440x640	85
K 7x7	00.070077.00	700x700	540x540	85
K 8x8	00.070088.00	800x800	620x620	100
K 9x9	00.070099.00	900x900	720x720	100
K 10x10	00.070100.00	1000x1000	820x820	100

Ø10 bar is used for all types of manhole covers made of carbon steel.